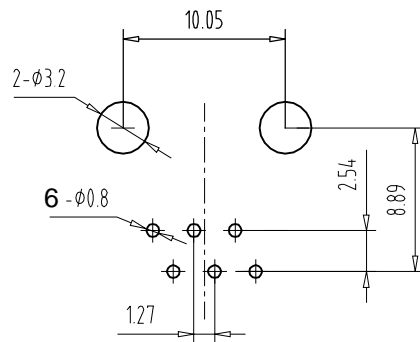
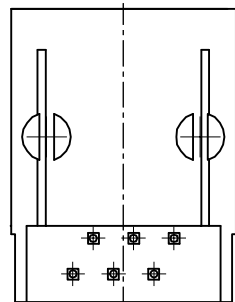
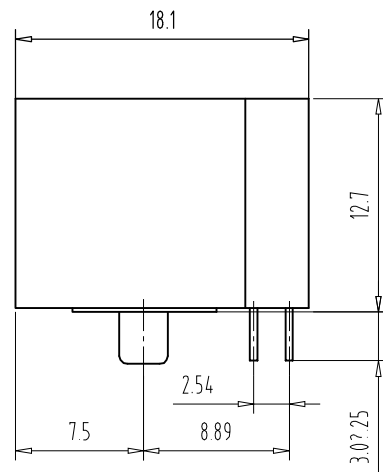
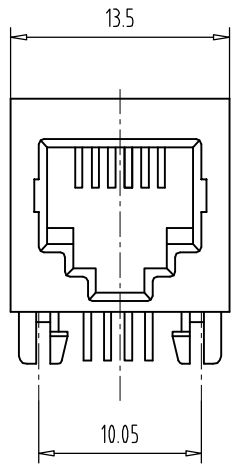


REVISION RECORD				
REV	ECO	DESCRIPTION	DRFT	CHKD



PC Board Layout  
Component Side Shown

NOTES:

MATERIAL :

- 1.HOUSING MATERIAL :GLASS FILLED POLYESTER UL94V-0.
- 2.CONTACT MATERIAL :PHOSPHOR BRONZE φ0.45mm.
- 3.PLATING :GOLD PLATING OVER NICKEL.

ELECTRICAL:

- 1.VOLTAGE RATING :125 VAC RMS.
- 2.CURRENT RATING :1.5 AMP.
- 3.CONTACT RESISTANCE :30 MILLIOHMS MAX.
- 4.INSULATION RESISTANCE :500 MEGOHMS MIN @ 500V DC .
- 5.DIELECTRIC WITHSTANDING RESISTANCE :1000V AC RMS 50Hz. 1MIN.

MECHANICAL:

- 1.DURRABILITY :750 CYCLES MIN.
- 2.PCB RETENTION PRE-SOLDER :1 LB MIN.

ENVIRONMENTAL:

- 1. STORAGE : -40℃~+85℃
- 2. OPERATION : 0℃ TO 70℃

DETACHED LISTS THIRD ANGLE PROJECTION	DFTD: SHB CHKD: LANBO MFO: APPVL: MATERIAL :	DATE: 2007.05.03 DATE: 2007.05.03 DATE: DATE:	<b>Coorle Technology</b>		
	TOLERANCES EXCEPT AS NOTED MM .0 ± 0.15 ± .00 ± 0.075 ± .000 ± 0.05 ±				TITLE 56A SIDE ENYRY JACK 6P6C
	ANGLES ± 0.5 	QTY : FINISH : SCALE :	DRAWING NO. TES6A1001 /PART NO.	SIZE A3	REV 0
	DO NOT SCALE DRAWING		SHEET X OF Y		